

Hach Sigma 911 CSA or ATEX Area Velocity Flow Meter



The Hach Sigma 911 CSA or Hach Sigma 911 ATEX Area Velocity Flow Meter is ideal for short-term flow studies in hazardous or potentially hazardous environments. It features quick installation, minimal maintenance, and uses advanced Doppler technology that is accurate in low-level, full-pipe, and reversed-flow conditions. Corrections for the effects of temperature and velocity further enhance the Sigma 911 flow meter's accuracy.

WW

Features and Benefits

CSA-NRTL/C Certified

The Hach Sigma 911 CSA Area Velocity Flow Meter is CSA-NRTL/C certified for operation in Class I, Division I, Groups C & D hazardous locations.

ATEX Certified

The Hach Sigma 911 ATEX Area Velocity Flow Meter is certified in accordance with the ATEX directive 94/9/EC by Zelm Ex for use in potential explosive atmospheres.

Easy Installation and Maintenance

The slender 6.5-inch diameter data logger of the Sigma 911 flow meter means it can install almost anywhere. The Submerged Area Velocity sensor is easy to install and requires little maintenance. Single point calibration can be performed on-site without a bucket of water! The bottom face of the probe is beveled to eliminate the need for additional mounting clips in 8- and 10-inch pipes. An optional oil-filled probe greatly reduces sensor fouling and associated maintenance.

Ideal for Harsh Environments

The data logger for the Sigma 911 flow meter is NEMA 6P sealed to withstand rugged sewer and storm water

environments including submergence and prolonged surcharge conditions. Its compact size makes it highly portable and easy to store.

Advanced Technology for Accuracy

The Sigma 911 flow meter uses a patented* “Drawdown Correction” feature that corrects the effects of velocity on accurate level measurement. Advanced, ultrasonic one-MHz Doppler technology avoids signal dropouts and ensures—without the need for on-site calibration—high levels of accuracy in low-flow, full-pipe, or reversed-flow conditions. A hydrodynamically shaped sensor and side-mounted cable reduce turbulence to ensure optimum monitoring performance.

Applications

The Hach Sigma 911 CSA or Hach Sigma Model 911 ATEX Area Velocity Flow Meter is ideal for short-term flow studies in hazardous or potentially hazardous areas, sanitary sewer evaluation studies, Combined Sewer Overflows (CSO) studies, and industrial discharge monitoring.

**Patent pending.*

IW

C

DW = drinking water WW = wastewater municipal PW = pure water / power
IW = industrial water E = environmental C = collections FB = food and beverage



Be Right™

Specifications*

Flow Meter Data Logger

Units of Measurement

Level: m, cm, ft., in.

Flow: gps, gpm, gph, lps, lpm, lph, mgd, afd, cfs, cfm, cfh, cfd, m³s, m³m, m³h, m³d

Totalized Flow: L, m³, ft.³, gal., acre-ft.,

Monitoring Intervals

1, 2, 3, 5, 6, 10, 12, 15, 20, 30, and 60 minutes

Operating Temperature

-18 to 60°C (0 to 140°F)

Storage Temperature

-40 to 60°C (-40 to 140°F)

Time-Based Accuracy

±1 second per day

User Interface

Optically isolated IBM-compatible PC

Program Memory

Non-volatile programmable flash, can be updated via RS-232 port

Data Storage

Capacity: 300 days of 1 level and 1 velocity reading at 15-minute recording intervals

Data Types: Level and velocity

Storage Mode: Wrap or slate

Communications

Serial connection via optically isolated interface to IBM compatible computer with Hach data analysis software

Enclosure Material

PVC

Enclosure Rating

NEMA 6P (IP67)

Certification

CSA-NRTL/C-Class 1, Div. 1, Groups C & D

Intrinsically Safe

Zelm Ex approved  II 2 G EEx e q ia IIB T3

Power Source

One 12 V, 12 Ah lead-acid, rechargeable

Battery Life

240 days, typical with a 15-minute recording interval (assumes data download once per week, at 10°C (50°F); also affected by site conditions)

Sampler Output

Optically isolated, 6 to 12 Vdc pulse, 100 mA max, at 500 ms duration flow proportional

Dimensions

16.5 cm diameter x 57 cm (6.5 in. diameter x 22.5 in.)

Weight

CSA version: 8.6 kg (20 lbs.) ATEX version: 11.3 kg (25 lbs.)

Submerged Area/Velocity Sensor Specifications

VELOCITY MEASUREMENT

Range

-1.52 to 6.10 m/s (-5 to 20 ft./s)

Zero Stability

0.015 m/s (<0.05 ft./s)

Accuracy

±2% of reading

Typical Minimum Depth for Velocity

2 cm (0.8 in.)

Method

Doppler ultrasonic

Transducer Type

Twin 1 MHz piezoelectric crystals

LEVEL MEASUREMENT

Range

Standard: 0 to 3 m (0 to 10 ft.)

Extended: 0 to 9 m (0 to 30 ft.)

Accuracy (static)¹

±0.16 % full scale ±1.5 % of reading at constant temperature (±2.5°C)

±0.20 % full scale ±1.75 % of reading from 0 to 30°C

±0.25 % full scale ±2.1 % of reading from 0 to 70°C

Allowable Level

Standard: 10.5 m (34.5 ft.)

Extended: 31.5 m (103.5 ft.)

Operating Temperature

0 to 70°C (32 to 158°F)

Compensated Temperature

0 to 30°C (32 to 86°F) level compensated

Velocity-Induced Error on Depth (Drawdown Correction—patent pending)

Compensated based on pipe geometry and flow velocity

Air Intake

Atmospheric pressure reference is desiccant protected

Method

Pressure transducer with stainless steel diaphragm

GENERAL

Material

Noryl[®] outer shell with epoxy potting

Power Consumption

Less than 1.2 W at 12 Vdc

Cable

Material: urethane sensor cable with air vent

Connector: hard anodized; satisfies Military Spec 5015

Cable Dimensions

Length: choice of 9, 15, 23, and 30.5 m (30, 50, 75, and 100 ft.) standard

Diameter: 0.91 cm (0.36 in.)

Sensor Dimensions

2.3 x 3.8 x 13.5 cm (0.9 x 1.5 x 5.31 in.) (for temperatures above 40°C add ±0.3 cm/°C)

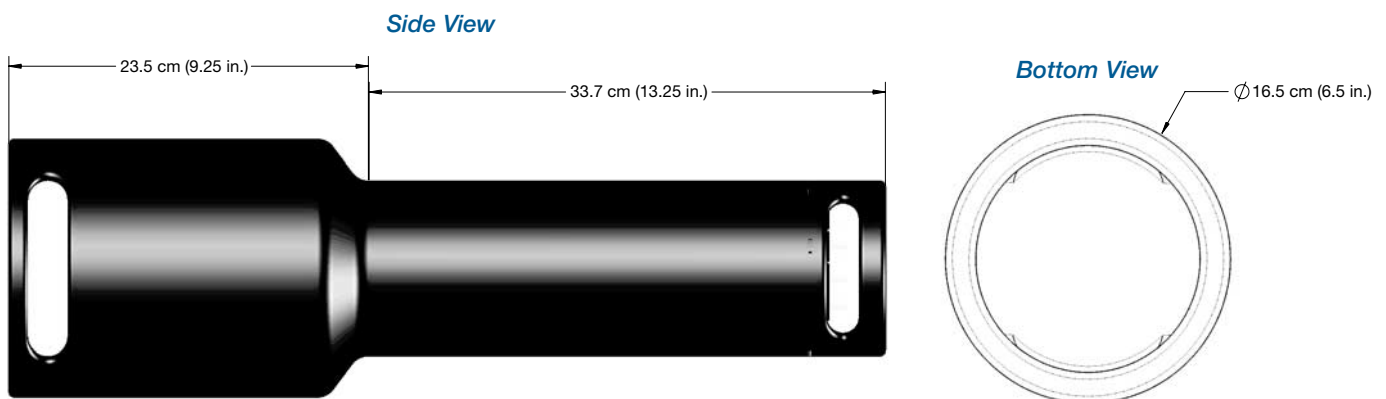
*Specifications subject to change without notice.

Engineering Specifications

1. The flow meter shall utilize one sensor to measure depth and velocity.
2. The flow meter shall utilize an ultrasonic Doppler sensor for measurement of average stream velocity and an integral level transducer for depth measurement.
3. The meter shall be microprocessor and EPROM structured with the ability to upload software updates in the field or via modem without the need to ship the meter to the factory.
4. The meter and sensor shall be CSA-NRTL/C certified for Class I, Division I, Groups C & D hazardous locations or certified by Zelm Ex for use in Potential Explosive Atmospheres in accordance with ATEX directive 94/9/EC.
5. The data logger shall be housed in an UV resistant PVC enclosure rated NEMA 6P for prolonged submergence.
6. Overall flow meter data logger dimensions including batteries shall not exceed 6.5 inches diameter by 22.5 inches length.
7. The meter shall be programmed through an optically isolated RS-232 interface.
8. Applications:
 - a. For area x velocity applications, the flow meter shall be capable of computing flows in channels of circular, U-channel, rectangular, and trapezoidal cross sections.
 - b. For irregular channels, the flow meter shall be capable of storing in memory, two tables of up to 99 user entered (depth, area) points per table.
 - c. For level only applications, the flow meter shall be field programmable for primary devices including weirs, flumes, nozzle, Manning equation, power curve equation, and head vs. flow table.
9. The meter shall allow real-time modification of time (including PC synchronization), level and level calibration without other changes and allow resetting the logger without losing programming set-ups.
10. The software shall have the ability to view real time meter status, download with a single keystroke, store data to individual files or database, merge site files, automatically append new data with old, save and program meters using templates for sites, view all settings on a single screen, and calculate simulated flow for different primary devices, levels, and velocities.
11. The flow meter shall be capable of storing at least 18,432 data points (300 days at 15 minute level and velocity logging intervals).
12. Slate and wrap-around data storage shall be field selectable. Once programmed, the meter with software shall display the total time available for data logging.
13. Logging intervals should include 1, 2, 3, 5, 6, 10, 12, 15, 20, 30 and 60 minute intervals. The meter shall have the intelligence to log data at logical times automatically, i.e. 5 minute intervals at 0:00, 0:05, 0:10, etc. so all data during analysis of multiple sites is from the identical interval and time. The logger shall have the ability to data log battery voltage as a separate parameter.
14. The meter shall operate 240 days at 15-minute logging intervals of level/flow and velocity including weekly data downloads utilizing a single 12-volt lithium battery pack.
15. The sensor shall be the Sigma 911 CSA/ATEX Area Velocity Flow Meter manufactured by Hach Company.

Dimensions

The Hach Sigma 911 CSA or Sigma 911 ATEX Area Velocity Flow Meter can be used in hazardous locations where combustible gases may be present. Mount the meter so that the connectors face down. When not in use, cover the connectors with their protective caps to prevent corrosion. Always use the appropriate manhole support bracket/spanner bar.



Ordering Information

Complete Flow Meter Systems

All Hach Sigma CSA or ATEX Area Velocity Flow Meters include 512K of memory, one RS-232 port, one sampler port, and one rechargeable battery. For a complete flow meter, add a submerged AV sensor (listed below).

- 5150** Sigma 911 CSA Area Velocity Flow Meter, certified for hazardous locations
- 5151700** Sigma 911 ATEX Area Velocity Flow Meter

Flow Meter Accessories

- 4920** Suspension Harness for suspending the flow meter
- 9542** Manhole Support Bracket/Spanner; 457 mm (18 in.), fits 457- to 711-mm (18- to 28-in.) manholes
- 9557** Manhole Support Bracket/Spanner; 711 mm (28 in.), fits 711- to 1219-mm (28- to 48-in.) manholes
- 5713000** Manhole Support Bracket; 457 to 685 mm (18 to 27 in.)
- 913** Charger; 115 Vac, gel electrolyte
- 915** Charger; 230 Vac, gel electrolyte
- 4087** RS-232 Intrinsic Safety Barrier, with 3 m (10 ft.) cable (contact Hach for longer lengths)
- 516001** Rechargeable Battery, for CSA-certified flow meter
- 6237000** Rechargeable Battery, for ATEX-certified flow meter

Sensors

All sensors are equipped with a connector

Non-Oil Filled Standard Submerged Depth/Velocity (AV) Sensors (0 to 10 ft. range)

- 88065-030** Intrinsically Safe Submerged AV Sensor; 30 ft. cable
- 88065-050** Intrinsically Safe Submerged AV Sensor; 50 ft. cable
- 88065-075** Intrinsically Safe Submerged AV Sensor; 75 ft. cable
- 88065-100** Intrinsically Safe Submerged AV Sensor; 100 ft. cable

Non-Oil Filled Standard Submerged Depth/Velocity (AV) Sensors (0 to 30 ft. range)

- 88075-030** Intrinsically Safe Submerged AV Sensor; 30 ft. cable
- 88075-050** Intrinsically Safe Submerged AV Sensor; 50 ft. cable

- 88075-075** Intrinsically Safe Submerged AV Sensor; 75 ft. cable
- 88075-100** Intrinsically Safe Submerged AV Sensor; 100 ft. cable

Oil Filled Standard Submerged Depth/Velocity (AV) Sensors (0 to 10 ft. range)

- 88064-030** Intrinsically Safe Submerged AV Sensor; 30 ft. cable
- 88064-050** Intrinsically Safe Submerged AV Sensor; 50 ft. cable
- 88064-075** Intrinsically Safe Submerged AV Sensor; 75 ft. cable
- 88064-100** Intrinsically Safe Submerged AV Sensor; 100 ft. cable

Oil Filled Standard Submerged Depth/Velocity (AV) Sensors (0 to 30 ft. range)

- 88074-030** Intrinsically Safe Submerged AV Sensor; 30 ft. cable
- 88074-050** Intrinsically Safe Submerged AV Sensor; 50 ft. cable
- 88074-075** Intrinsically Safe Submerged AV Sensor; 75 ft. cable
- 88074-100** Intrinsically Safe Submerged AV Sensor; 100 ft. cable

Sensor Mounting Hardware

- 4939** Submerged AV Mounting Plate, for pipe wall installation
- 9574** Insertion Tool for Street Level, for use with spring rings only

Spring Bands

- 1361** Spring Band for 150 mm (6 in.) diameter pipe
- 1362** Spring Band for 200 mm (8 in.) diameter pipe
- 1363** Spring Band for 255 mm (10 in.) diameter pipe
- 1364** Spring Band for 300 mm (12 in.) diameter pipe

Accessories

- 5254** Insight Software (included)
- 7724700** Silicon Oil; dual 50-mL pack (refills 100 sensors)
- 7724800** Silicon Oil Refill Kit; includes dispensing tool and oil packs
- 7725600** Oil-Filled Submerged AV Sensor Kit
- 7730000** Retrofit Kit (converts non oil-filled to oil-filled); includes kit Silicon Oil Refill Kit

At Hach, it's about learning from our customers and providing the right answers. It's more than ensuring the quality of water—it's about ensuring the quality of life. When it comes to the things that touch our lives...

Keep it pure.

Make it simple.

Be right.

For current price information, technical support, and ordering assistance, contact the Hach office or distributor serving your area.

In the United States, contact:

HACH COMPANY World Headquarters
P.O. Box 389
Loveland, Colorado 80539-0389
U.S.A.
Telephone: 800.635.4567
Fax: 970-669-2932
E-mail: orders@hach.com
www.hach.com

U.S. exporters and customers in Canada, Latin America, sub-Saharan Africa, Asia, and Australia/New Zealand, contact:

HACH COMPANY World Headquarters
P.O. Box 389
Loveland, Colorado 80539-0389
U.S.A.
Telephone: 970-669-3050
Fax: 970-461-3939
E-mail: intl@hach.com
www.hach.com

In Europe, the Middle East, and Mediterranean Africa, contact:

HACH LANGE GmbH
Willstätterstraße 11
D-40549 Düsseldorf
GERMANY
Tel: +49 (0) 211 5288-0
Fax: +49 (0) 211 5288-143
E-mail: info@hach-lange.de
www.hach-lange.com

Lit. No. 2578

G7X Printed in U.S.A.

©Hach Company, 2007. All rights reserved.

In the interest of improving and updating its equipment, Hach Company reserves the right to alter specifications to equipment at any time.



Be Right™